



Solenoid valve 2/2 way N.C. Direct acting - NSF Certified

21JN1R1V12-T3
÷
21JN1R1V23-T3

PRESENTATION:

Direct acting S.V. for interception of fluids compatible with the construction materials.

Minimum operational pressure is not required.

The materials used and the tests carried out ensure maximum reliability and duration.

USE: Vending

PIPES: G 1/8

COIL: 5W - Ø 10
LBA 155°C (class F)
LBF - LBV 180°C (class H)

COIL HOUSING AND COIL FORMER MATERIAL ARE MADE BY 100% VIRGIN MATERIAL.

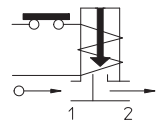
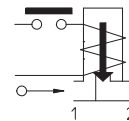
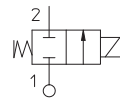
Max. allowable pressure (PS) 40 bar

Ambient temperature:

See coils catalogue page for its compatibility.



Gaskets	Temperature		Medium
V=FKM (fluoroelastomer)	- 10°C	+140°C	Water, Air, Steam



Pipe ISO 228/1	Code	Max viscosity		Ø mm	Kv l/mn	Power watt	Pressure		
		cSt	°E				min bar	M.O.P.D.	
								AC bar	DC bar
G 1/8	21JN1R1V12-T3	12	~ 2	1,2	1	2,5	0	20	3,5
								5	12
	21JN1R1V23-T3	37	~ 5	2,3	2,3	2,5		6	-
								5	8



Note

Available on request and with minimum quantities.

The "ODE" reserves the right to carry out technical and aesthetic modifications without prior notice.

MATERIALS:

Body	Low Lead Brass
Armature tube	Stainless steel AISI series 300
Fixed core	Stainless steel AISI series 400
Plunger	Stainless steel AISI series 400
Phase displacement ring	Gold plated copper
Spring	Stainless steel AISI series 300
Seal	V=FKM
Orifice	Low Lead Brass

On request:

Connector	Pg 9 or Pg 11
Connector conformity	ISO 4400

FEATURES:

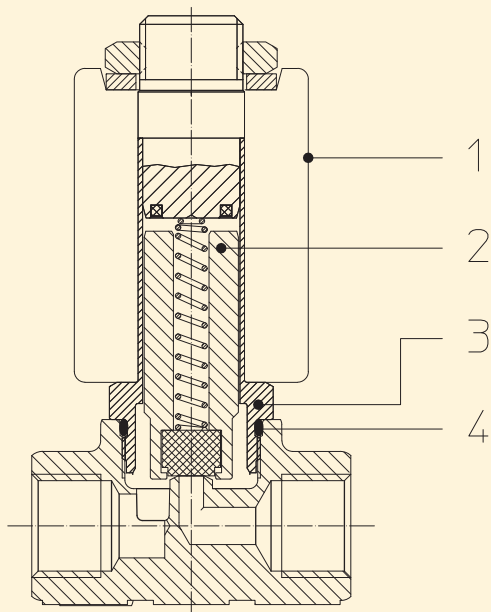
Electrical conformity	IEC 335
Protection degree	IP 65 EN 60529 (DIN 40050) with coil fitted by connector.

SPARE PARTS:

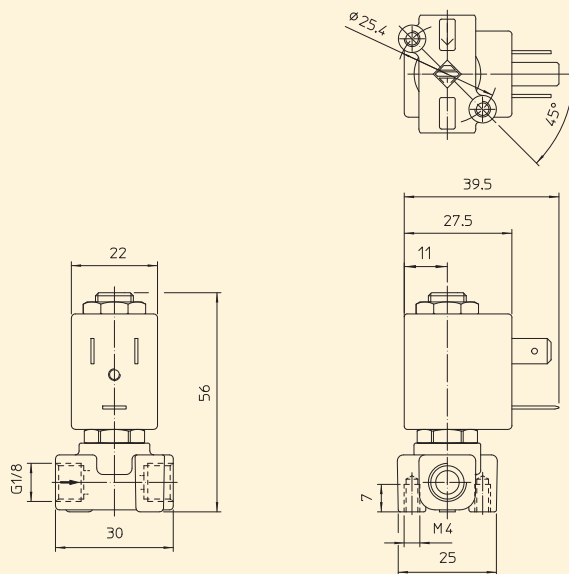
- Coil:**
See coils list
- Complete plunger:**
Code R452867/**VX**
- Complete armature tube:**
Code R452062/**D**
- Gasket O-Ring:**
Code R990597/**VX**

KIT:

KT100R1VX25-FJ=**2+3+4**



DIMENSIONS:



COIL TYPE	POWER ABSORPTION		
	W ---	Hold VA ~	Inrush VA ~
L	5	10	15