

# Series RPGA sprue grippers

## Size 20mm

Angular, not self-centering, single-acting, Normally Open  
 Models available: Flat Finger, Curved Finger, Short Finger,  
 Flat Finger with sensor slot, Curved Finger with sensor slot



Thanks to a piston with a size of 20mm and to the direct transfer of the force from the piston to the fingers, Series RPGA guarantees a strong and a safe grip.

Their technical features ensure a high gripping force and make these grippers particularly suitable in the removal of injection molded items. The surface treatments on each metallic part make this series very wear resistant.

D and E models are provided with a finger having a slot for the installation of an inductive sensor.

### GENERAL DATA

Operation	single-acting, Normally Open
Materials	anodized aluminium body and fingers, PU seals
Working pressure	2.5 bar ÷ 8 bar
Working temperature	0°C ÷ 60°C
Max frequency	2.5 Hz
Lubrication	Not necessary
Air ports	G1/8
Media	Filtered air, without lubrication
Size	20 mm
Weights	120 g (models A and B); 125 g (models C, D, E)
Gripping torque at 6 bar	310 Ncm
Opening torque at 6 bar	25 Ncm
Gripping force at 6 bar	90 N
Closing time without load	20 ms
Opening time	75 ms

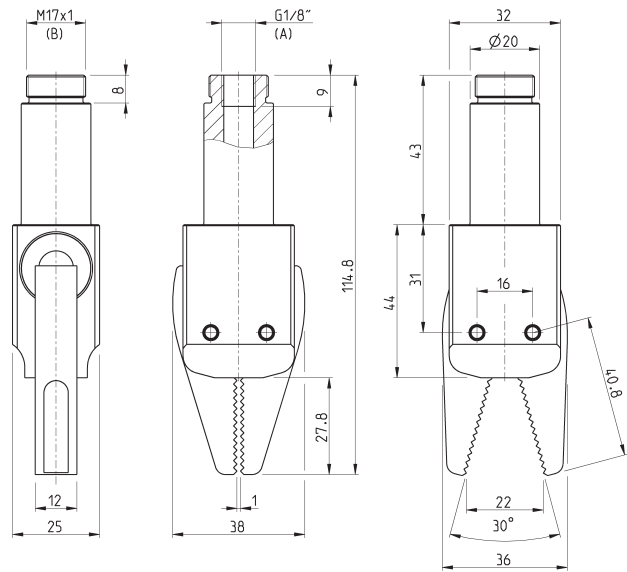
**CODING EXAMPLE**

<b>RPGA</b>	<b>-</b>	<b>20</b>	<b>-</b>	<b>A</b>
-------------	----------	-----------	----------	----------

<b>RPGA</b>	SERIES
<b>20</b>	SIZE: 20 = Ø 20 mm
<b>A</b>	TYPE OF CONSTRUCTION: A = Flat finger B = Curved finger C = Short finger with mounting holes for extensions D = Flat finger for sensor E = Curved finger for sensor

SERIES RPGA SPRUE GRIPPERS

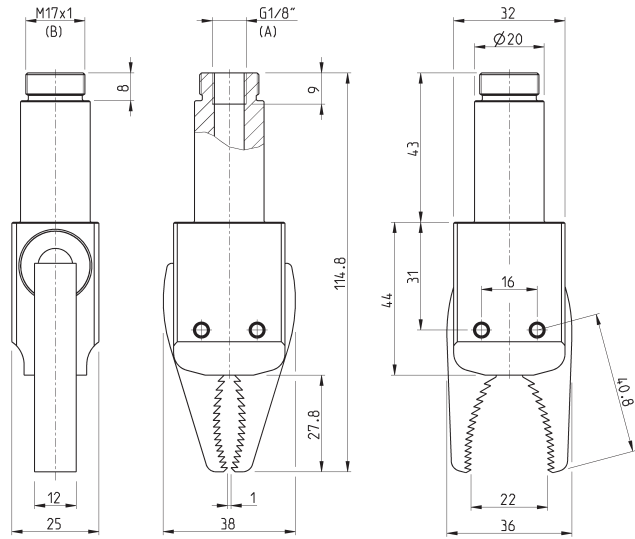
**Flat finger gripper Mod. RPGA-20-A - dimensions**



A = connection port  
B = fixing thread

Mod.  
**RPGA-20-A**

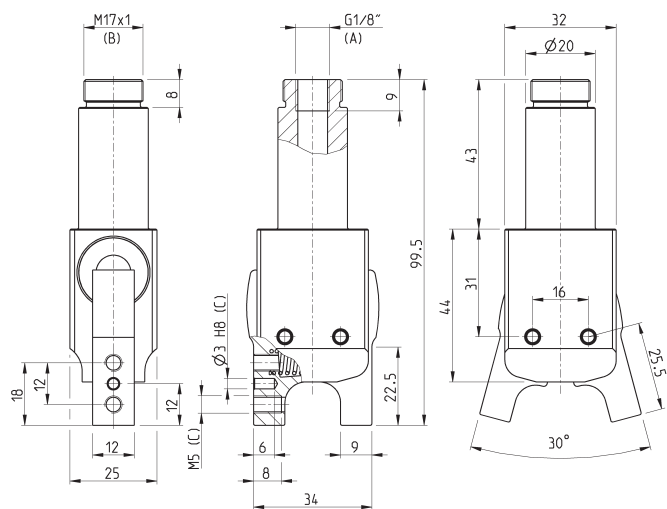
**Curved finger gripper Mod. RPGA-20-B - dimensions**



A = connection port  
B = fixing thread

Mod.  
**RPGA-20-B**

**Short finger gripper Mod. RPGA-20-C - dimensions**



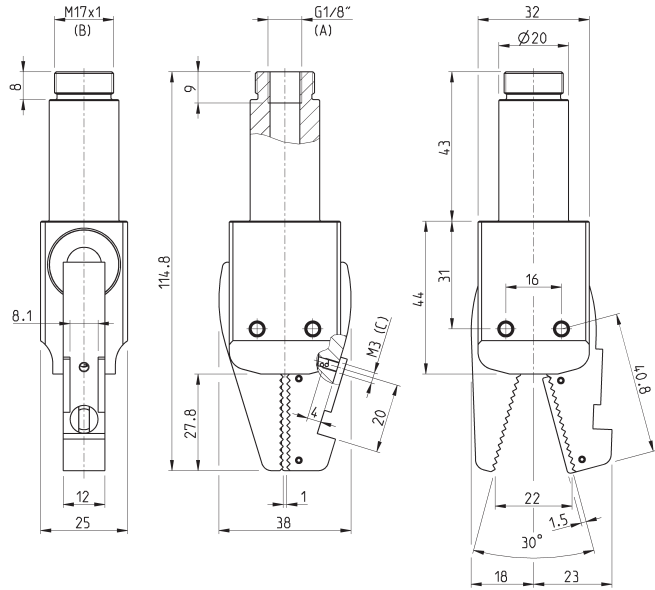
A = connection port  
B = fixing thread  
C = fixing holes

Mod.  
**RPGA-20-C**

**Flat finger gripper with sensor slot Mod. RPGA-20-D - dimensions**



Note: the sensor is not supplied with the gripper



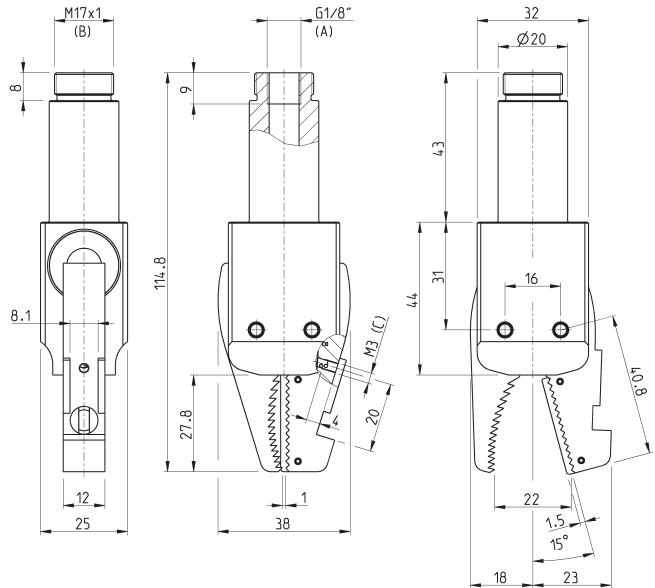
A = connection port  
B = fixing thread  
C = sensor fixing hole

Mod.  
**RPGA-20-D**

**Curved finger gripper with sensor slot Mod. RPGA-20-E - dimensions**



Note: the sensor is not supplied with the gripper



A = connection port  
B = fixing thread  
C = sensor fixing hole

Mod.  
**RPGA-20-E**